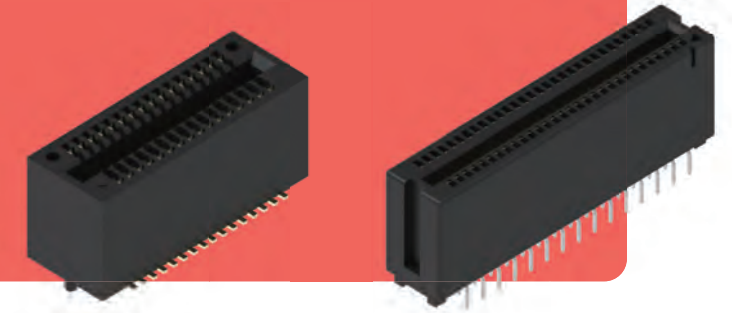


Card Edge Connector

Current Rate: 1A
 Voltage Rate: 250V
 Dielectric Voltage: 500V AC for one minute
 Insulation Resistance: 1000MΩ Min.
 Contact Resistance: 30mΩ Max.
 Material Contact: Copper Alloy, Gold / Tin
 Material Insulator: LCP or NY66, UL94V-0
 Operating Temperature: -55°C~+85°C

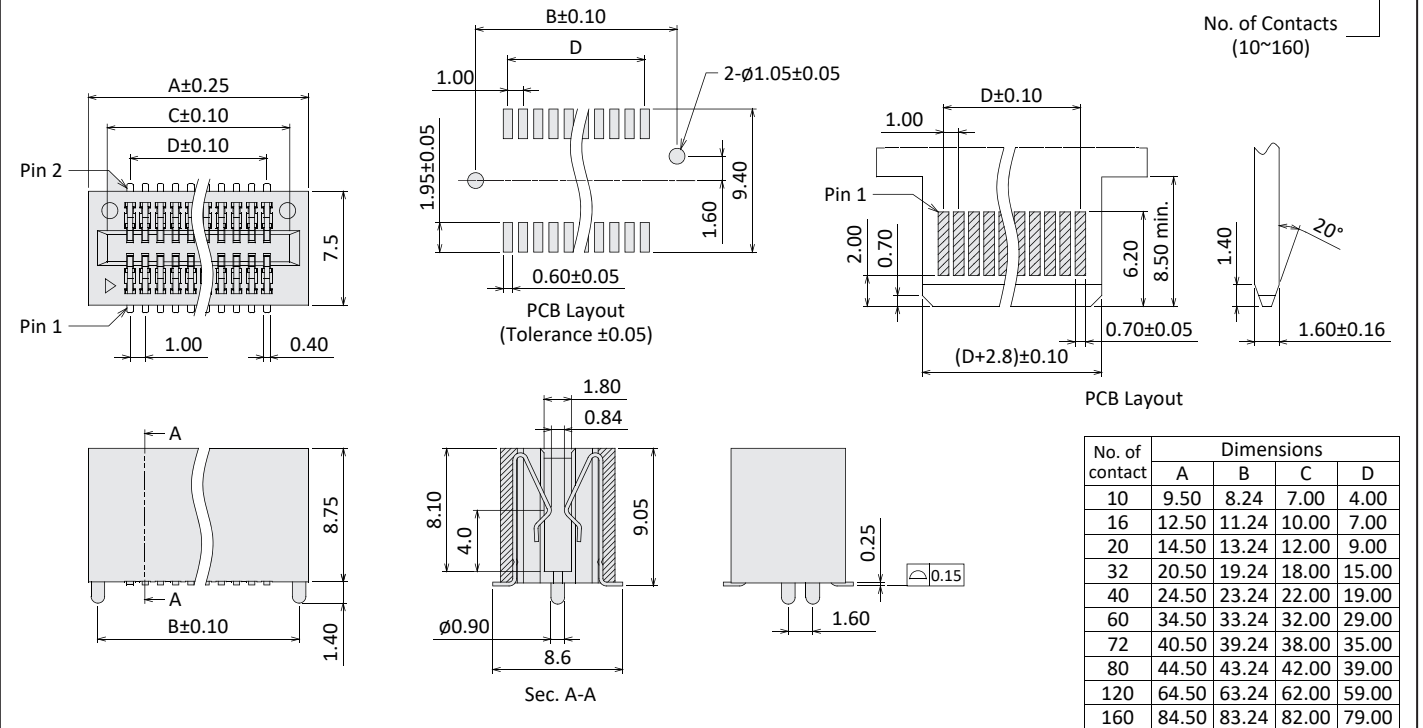


Card Slot

Card Edge Conn. SMT Type 1.00mm Pitch

Part No.: CS10M - XX

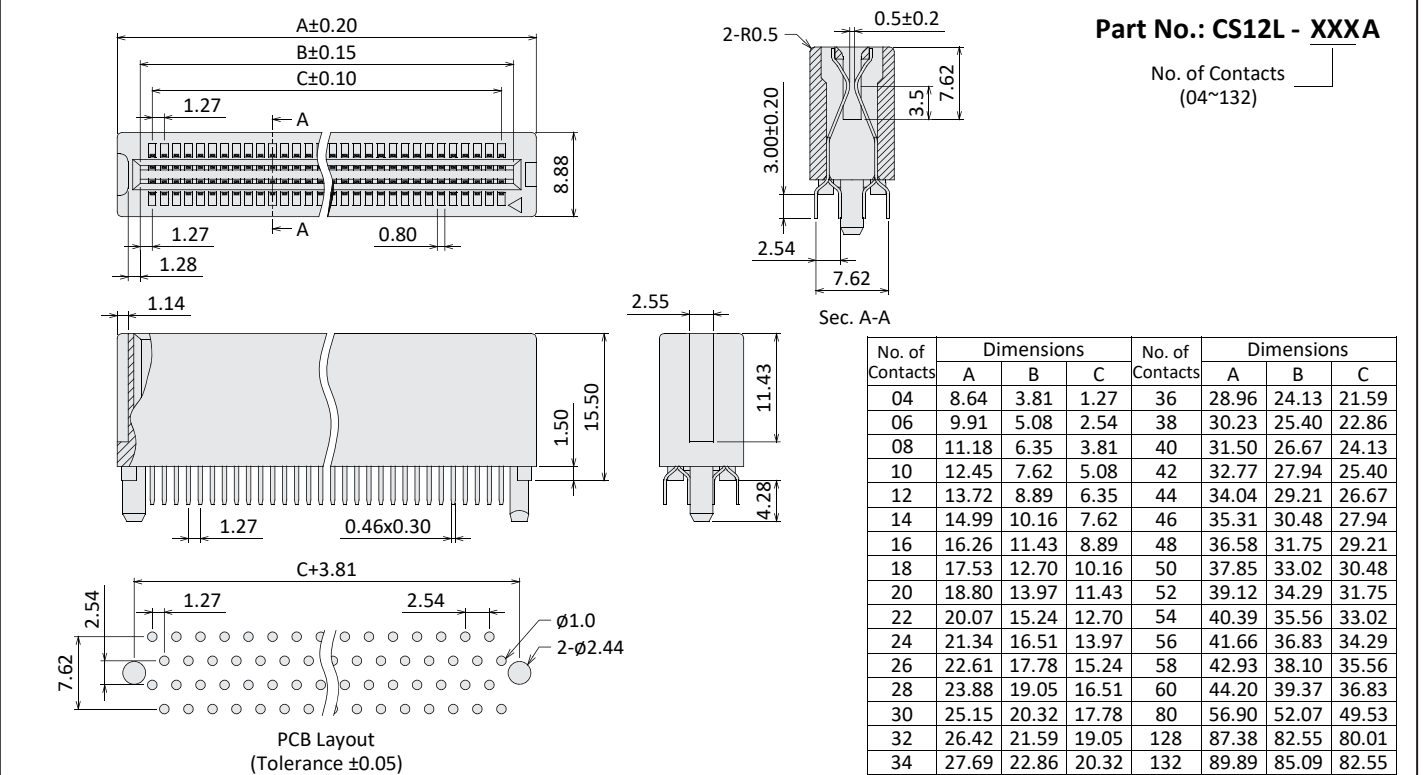
No. of Contacts
(10~160)



Card Edge Conn. DIP Type 1.27mm Pitch

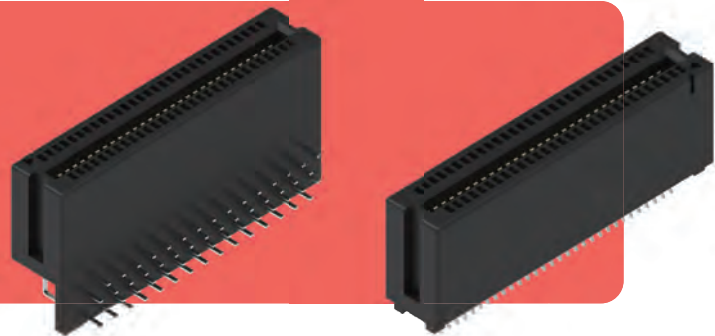
Part No.: CS12L - XXXA

No. of Contacts
(04~132)



Card Edge Connector

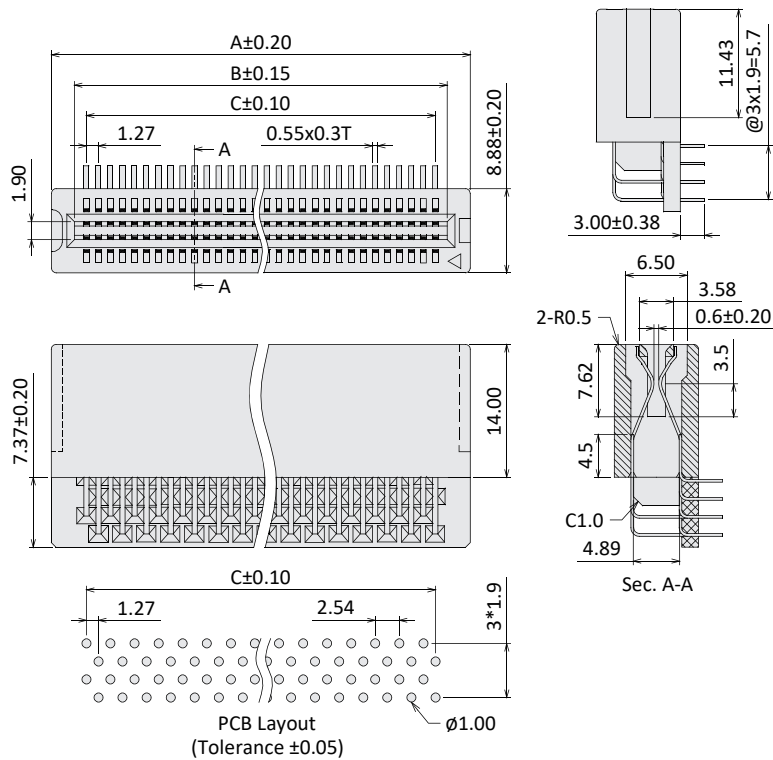
Current Rate: 1A
 Voltage Rate: 250V
 Dielectric Voltage: 500V AC for one minute
 Insulation Resistance: 1000MΩ Min.
 Contact Resistance: 30mΩ Max.
 Material Contact: Copper Alloy, Gold / Tin
 Material Insulator: Nylon 66, UL94V-0
 Operating Temperature: -55°C~+85°C



Card Edge Conn. Right Angle Type 1.27mm Pitch

Part No.: CS12R XX-XX

S0: Selective Flash
 S3: Selective 10u"
 S4: Selective 15u"
 S5: Selective 30u"
 No. of Contacts (04~120)

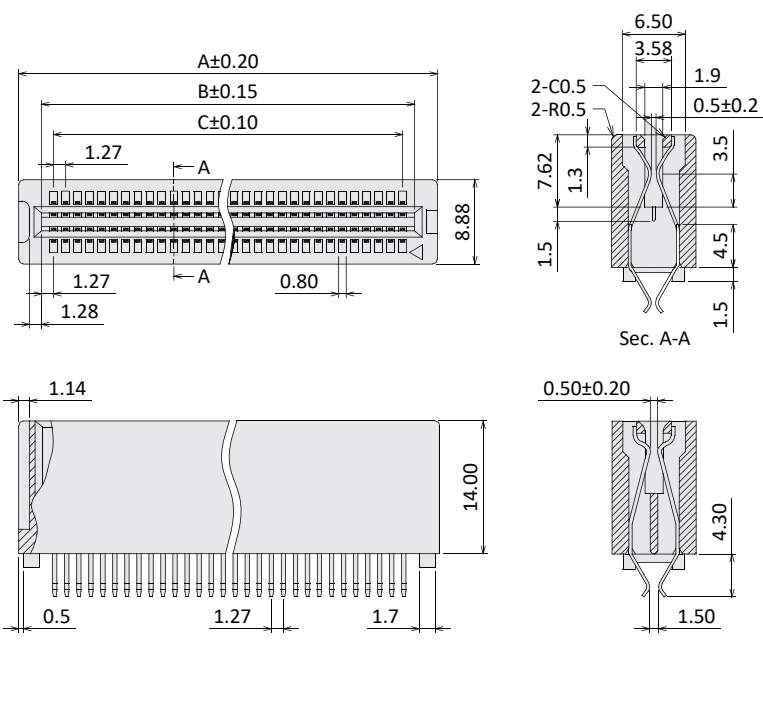


No. of Contacts	Dimensions			No. of Contacts	Dimensions		
	A	B	C		A	B	C
04	8.64	3.81	1.27	36	28.96	24.13	21.59
06	9.91	5.08	2.54	38	30.23	25.40	22.86
08	11.18	6.35	3.81	40	31.50	26.67	24.13
10	12.45	7.62	5.08	42	32.77	27.94	25.40
12	13.72	8.89	6.35	44	34.04	29.21	26.67
14	14.99	10.16	7.62	46	35.31	30.48	27.94
16	16.26	11.43	8.89	48	36.58	31.75	29.21
18	17.53	12.70	10.16	50	37.85	33.02	30.48
20	18.80	13.97	11.43	52	39.12	34.29	31.75
22	20.07	15.24	12.70	54	40.39	35.56	33.02
24	21.34	16.51	13.97	56	41.66	36.83	34.29
26	22.61	17.78	15.24	58	42.93	38.10	35.56
28	23.88	19.05	16.51	60	44.20	39.37	36.83
30	25.15	20.32	17.78	80	56.90	52.07	49.53
32	26.42	21.59	19.05	100	69.60	64.77	62.23
34	27.69	22.86	20.32	120	82.30	77.47	74.93

Card Edge Conn. Straddle Type 1.27mm Pitch

Part No.: CS12C XX-XXX

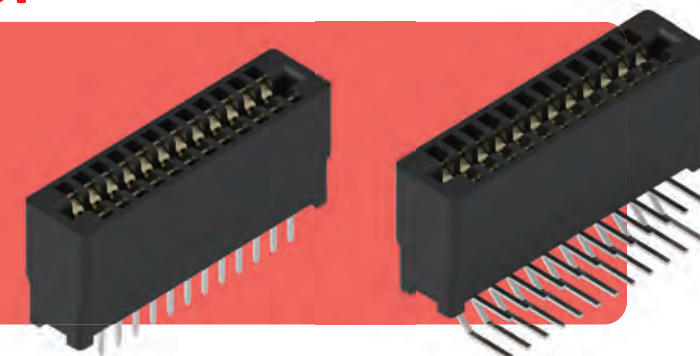
S0: Selective Flash
 S3: Selective 10u"
 S4: Selective 15u"
 S5: Selective 30u"
 No. of Contacts (04~160)



No. of Contacts	Dimensions			No. of Contacts	Dimensions		
	A	B	C		A	B	C
04	8.64	3.81	1.27	38	30.23	25.40	22.86
06	9.91	5.08	2.54	40	31.50	26.67	24.13
08	11.18	6.35	3.81	42	32.77	27.94	25.40
10	12.45	7.62	5.08	44	34.04	29.21	26.67
12	13.72	8.89	6.35	46	35.31	30.48	27.94
14	14.99	10.16	7.62	48	36.58	31.75	29.21
16	16.26	11.43	8.89	50	37.85	33.02	30.48
18	17.53	12.70	10.16	52	39.12	34.29	31.75
20	18.80	13.97	11.43	54	40.39	35.56	33.02
22	20.07	15.24	12.70	56	41.66	36.83	34.29
24	21.34	16.51	13.97	58	42.93	38.10	35.56
26	22.61	17.78	15.24	60	44.20	39.37	36.83
28	23.88	19.05	16.51	80	56.90	52.07	49.53
30	25.15	20.32	17.78	100	69.60	64.77	62.23
32	26.42	21.59	19.05	120	82.30	77.47	74.93
34	27.69	22.86	20.32	124	84.84	80.01	77.47
36	28.96	24.13	21.59	160	107.70	102.87	100.33

Card Edge Connector

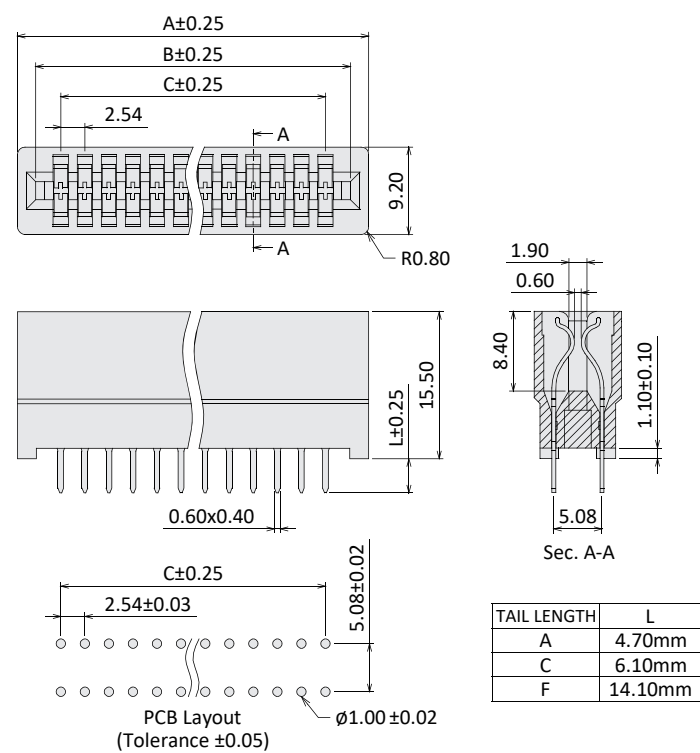
Current Rate: 3A
 Voltage Rate: 800V
 Dielectric Voltage: 1000V AC for one minute
 Insulation Resistance: 5000MΩ Min.
 Contact Resistance: 20mΩ Max.
 Material Contact: Copper Alloy, Gold / Tin
 Material Insulator: PBT, UL94V-0
 Operating Temperature: -55°C~+105°C



Card Edge Conn. DIP Type 2.54mm Pitch

Part No.: CS25L - XXX - X

No. of Contacts (04~120)
 Tail Length (A/C/F)

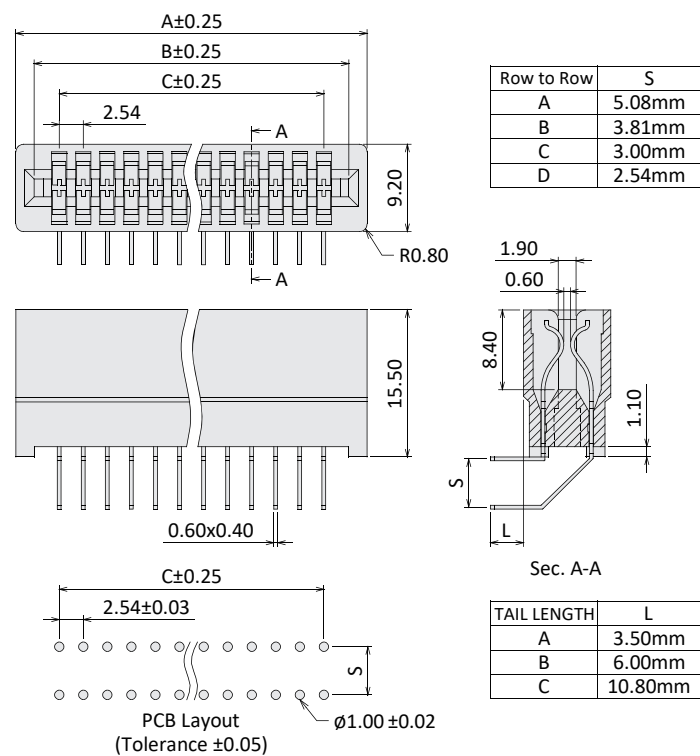


No. of Contacts	Dimensions			No. of Contacts	Dimensions		
	A	B	C		A	B	C
4	11.68	7.82	2.54	38	54.86	51.00	45.72
6	14.22	10.36	5.08	40	57.40	53.54	48.26
8	16.76	12.90	7.62	44	62.48	58.62	53.34
10	19.30	15.44	10.16	48	67.56	63.70	58.42
12	21.84	17.98	12.70	50	70.10	66.24	60.96
14	24.38	20.52	15.24	60	82.80	78.94	73.66
16	26.92	23.06	17.78	62	85.34	81.48	76.20
18	29.46	25.60	20.32	64	87.88	84.02	78.74
20	32.00	28.14	22.86	70	95.50	91.64	86.36
22	34.54	30.68	25.40	72	98.04	94.18	88.90
24	37.08	33.22	27.94	80	108.20	104.34	99.06
26	39.62	35.76	30.48	86	115.82	111.96	106.68
28	42.16	38.30	33.02	98	131.06	127.20	121.92
30	44.70	40.84	35.56	100	133.60	129.74	124.46
32	47.24	43.38	38.10	108	143.76	139.90	134.62
34	49.78	45.92	40.64	120	159.00	155.14	149.86
36	52.32	48.46	43.18				

Card Edge Conn. Right Angle Type 2.54mm Pitch

Part No.: CS25RA - XX - X - X

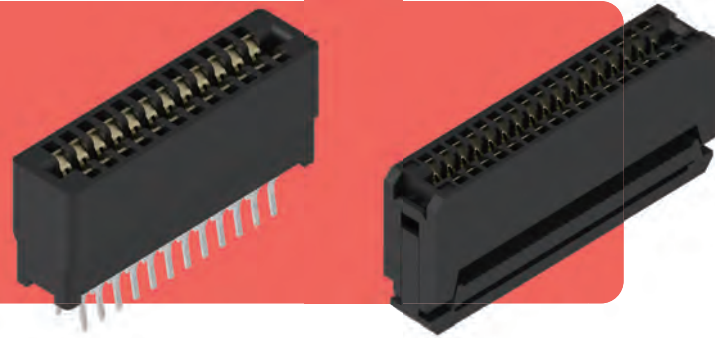
No. of Contacts (04~108)
 Tail Length L (A/B/C)
 Tail Length S (A/B/C/D)



No. of Contacts	Dimensions			No. of Contacts	Dimensions		
	A	B	C		A	B	C
4	11.68	7.82	2.54	36	52.32	48.46	43.18
6	14.22	10.36	5.08	38	54.86	51.00	45.72
8	16.76	12.90	7.62	40	57.40	53.54	48.26
10	19.30	15.44	10.16	44	62.48	58.62	53.34
12	21.84	17.98	12.70	48	67.56	63.70	58.42
14	24.38	20.52	15.24	50	70.10	66.24	60.96
16	26.92	23.06	17.78	60	82.80	78.94	73.66
18	29.46	25.60	20.32	62	85.34	81.48	76.20
20	32.00	28.14	22.86	64	87.88	84.02	78.74
22	34.54	30.68	25.40	70	95.50	91.64	86.36
24	37.08	33.22	27.94	72	98.04	94.18	88.90
26	39.62	35.76	30.48	80	108.20	104.34	99.06
28	42.16	38.30	33.02	86	115.82	111.96	106.68
30	44.70	40.84	35.56	98	131.06	127.20	121.92
32	47.24	43.38	38.10	100	133.60	129.74	124.46
34	49.78	45.92	40.64	108	143.76	139.90	134.62

Card Edge Connector

Current Rate: 1~3A
 Voltage Rate: 800V
 Dielectric Voltage: 500~1000V AC for 1 minute
 Insulation Resistance: 1000~5000MΩ Min.
 Contact Resistance: 20mΩ Max.
 Material Contact: Copper Alloy, Gold / Tin
 Material Insulator: PBT, UL94V-0
 Operating Temperature: -55°C~+105°C

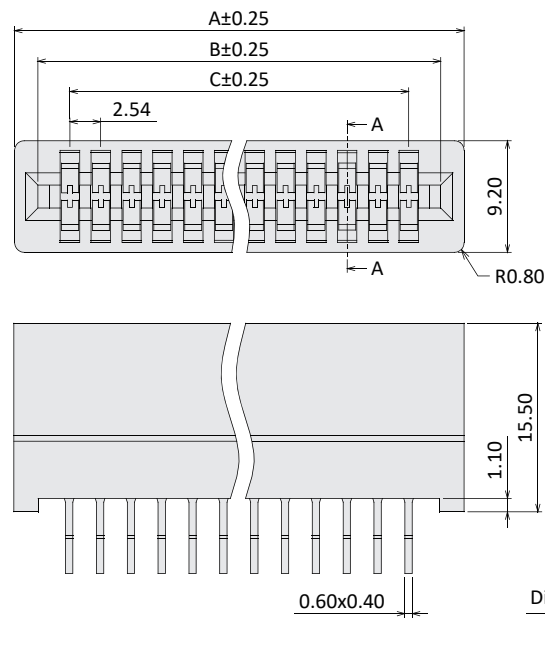


Card Edge Conn. Straddle Type 2.54mm Pitch

Part No.: CS25C XX - XXX - X

S0: Selective Flash
 S3: Selective 10u"
 S4: Selective 15u"
 S5: Selective 30u"

No. of Contacts (04~100)
 Dimension R
 A=1.60
 B=2.54
 C=3.81



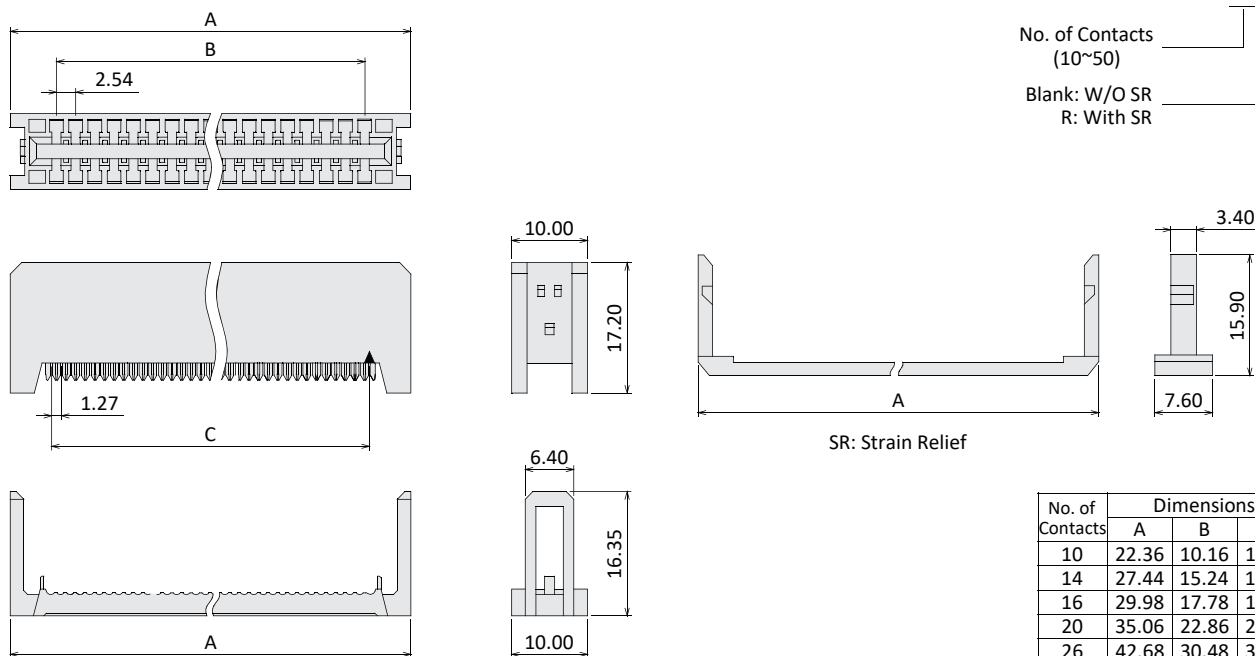
No. of Contacts	Dimensions			No. of Contacts	Dimensions		
	A	B	C		A	B	C
04	11.68	7.82	2.54	36	52.32	48.46	43.18
06	14.22	10.36	5.08	38	54.86	51.00	45.72
08	16.76	12.90	7.62	40	57.40	53.54	48.26
10	19.30	15.44	10.16	44	62.48	58.62	53.34
12	21.84	17.98	12.70	48	67.56	63.70	58.42
14	24.38	20.52	15.24	50	70.10	66.24	60.96
16	26.92	23.06	17.78	60	82.80	78.94	73.66
18	29.46	25.60	20.32	62	85.34	81.48	76.20
20	32.00	28.14	22.86	64	87.88	84.02	78.74
22	34.54	30.68	25.40	70	95.50	91.64	86.36
24	37.08	33.22	27.94	72	98.04	94.18	88.90
26	39.62	35.76	30.48	80	108.20	104.34	99.06
28	42.16	38.30	33.02	86	115.82	111.96	106.68
30	44.70	40.84	35.56	98	131.06	127.20	121.92
32	47.24	43.38	38.10	100	133.60	129.74	124.46
34	49.78	45.92	40.64				

Card Edge Conn. IDC Type 2.54mm Pitch

Part No.: CS25I - XX X

No. of Contacts (10~50)
 Blank: W/O SR
 R: With SR

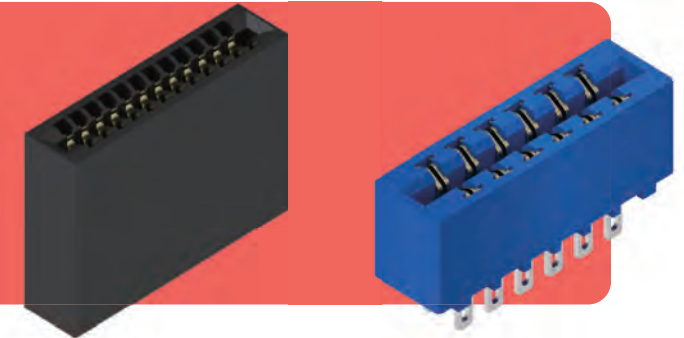
SR: Strain Relief



No. of Contacts	Dimensions		
	A	B	C
10	22.36	10.16	11.43
14	27.44	15.24	16.51
16	29.98	17.78	19.05
20	35.06	22.86	24.13
26	42.68	30.48	31.75
34	52.84	40.64	41.91
40	60.46	48.26	49.53
50	73.16	60.96	62.23

Card Edge Connector

Current Rate: 3A
 Dielectric Voltage: 800V AC for one minute
 Insulation Resistance: 5000MΩ Min.
 Contact Resistance: 20mΩ Max.
 Material Contact: Copper Alloy, Gold / Tin
 Material Insulator: PBT, UL94V-0
 Operating Temperature: -55°C~+105°C

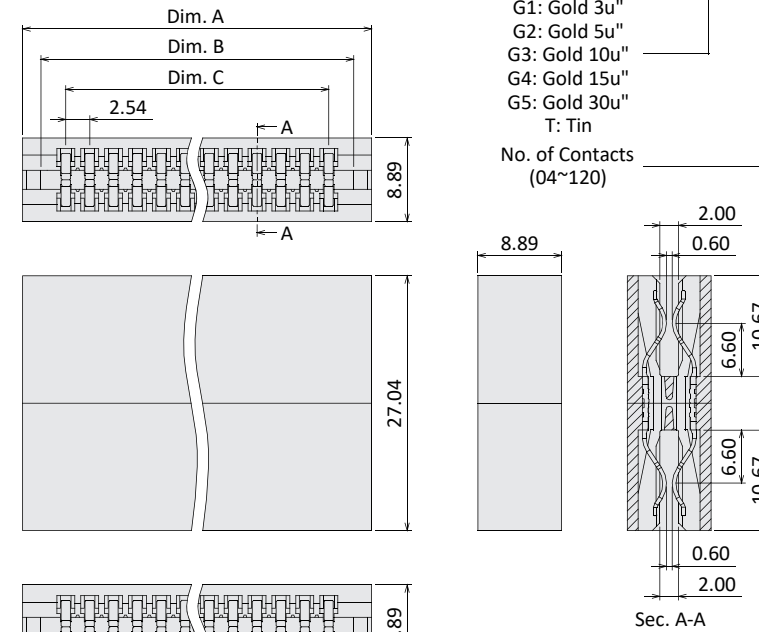


Card Edge Conn. Dual Side 2.54mm Pitch

Part No.: CS1100 XX - XXX

G0: Gold Flash
 G1: Gold 3u"
 G2: Gold 5u"
 G3: Gold 10u"
 G4: Gold 15u"
 G5: Gold 30u"
 T: Tin

No. of Contacts (04~120)

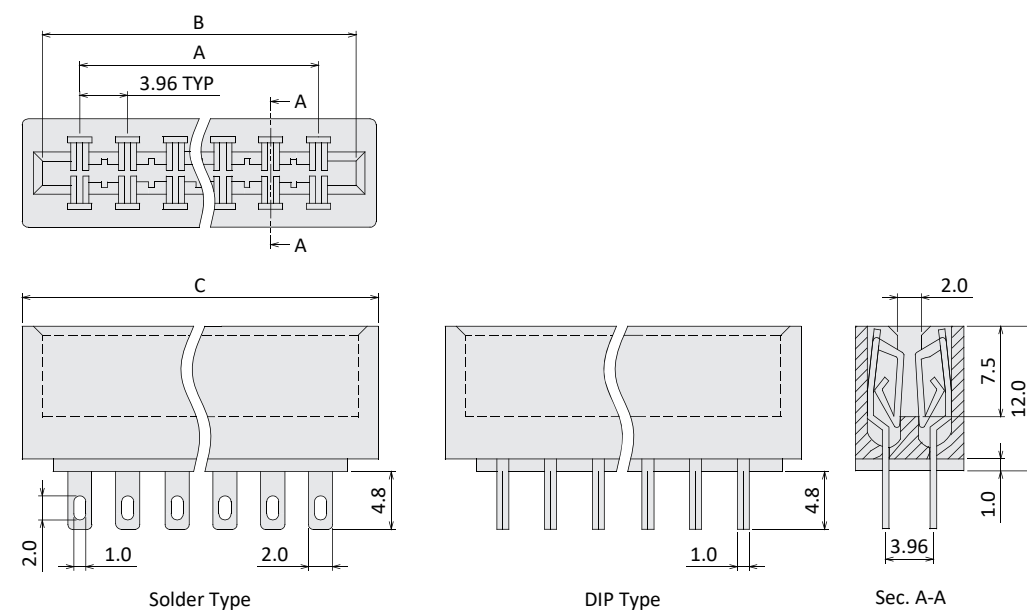


No. of Contacts	Dimensions			No. of Contacts	Dimensions		
	A	B	C		A	B	C
4	11.68	7.82	2.54	64	87.88	84.02	78.74
6	14.22	10.36	5.08	66	90.42	86.56	81.28
8	16.76	12.90	7.62	68	92.96	89.10	83.82
10	19.30	15.44	10.16	70	95.50	91.64	86.36
12	21.84	17.98	12.70	72	98.04	94.18	88.90
14	24.38	20.52	15.24	74	100.58	96.72	91.44
16	26.92	23.06	17.78	76	103.12	99.26	93.98
18	29.46	25.60	20.32	78	105.66	101.80	96.52
20	32.00	28.14	22.86	80	108.20	104.34	99.06
22	34.54	30.68	25.40	82	110.74	106.88	101.60
24	37.08	33.22	27.94	84	113.28	109.42	104.14
26	39.62	35.76	30.48	86	115.82	111.96	106.68
28	42.16	38.30	33.02	88	118.36	114.50	109.22
30	44.70	40.84	35.56	90	120.90	117.04	111.76
32	47.24	43.38	38.10	92	123.44	119.58	114.30
34	49.78	45.92	40.64	94	125.98	122.12	116.84
36	52.32	48.46	43.18	96	128.52	124.66	119.38
38	54.86	51.00	45.72	98	131.06	127.20	121.92
40	57.40	53.54	48.26	100	133.60	129.74	124.46
42	59.94	56.08	50.80	102	136.14	132.28	127.00
44	62.48	58.62	53.34	104	138.68	134.82	129.54
46	65.02	61.16	55.88	106	141.22	137.36	132.08
48	67.56	63.70	58.42	108	143.76	139.90	134.62
50	70.10	66.24	60.96	110	146.30	142.44	137.16
52	72.64	68.78	63.50	112	148.84	144.98	139.70
54	75.18	71.32	66.04	114	151.38	147.52	142.24
56	77.72	73.86	68.58	116	153.92	150.06	144.78
58	80.26	76.40	71.12	118	156.46	152.60	147.32
60	82.80	78.94	73.66	120	159.00	155.14	149.86
62	85.34	81.48	76.20				

Card Edge Conn. DIP & Solder Type 3.96mm Pitch

Part No.: CS396 X - XX X

D: DIP Type
 S: Solder Type
 No. of Contacts (10~72)
 B: Black Color
 U: Blue Color



No. of Contacts	Dimensions		
	A	B	C
10	15.84	24.06	27.40
12	19.80	28.02	31.36
16	27.72	35.94	39.28
20	35.64	43.86	47.20
24	43.56	51.78	55.12
26	47.52	55.74	59.08
28	51.48	59.70	63.04
30	55.44	63.66	67.00
32	59.40	67.62	70.96
36	67.32	75.54	78.88
40	75.24	83.46	86.80
44	83.16	91.38	94.72
46	87.12	95.34	98.68
50	95.04	103.26	106.60
56	106.92	115.14	118.48
60	114.84	123.06	126.40
62	118.80	127.02	130.36
64	122.76	130.98	134.32
70	134.64	142.86	146.20
72	138.60	146.82	150.16